

SECTIONAL ELEVATION A-A

DETAILS AND STRUCTURE OF MANHOLE TO CONFORM WITH STANDARD MANHOLE SPECIFIED BY THE ENGINEER

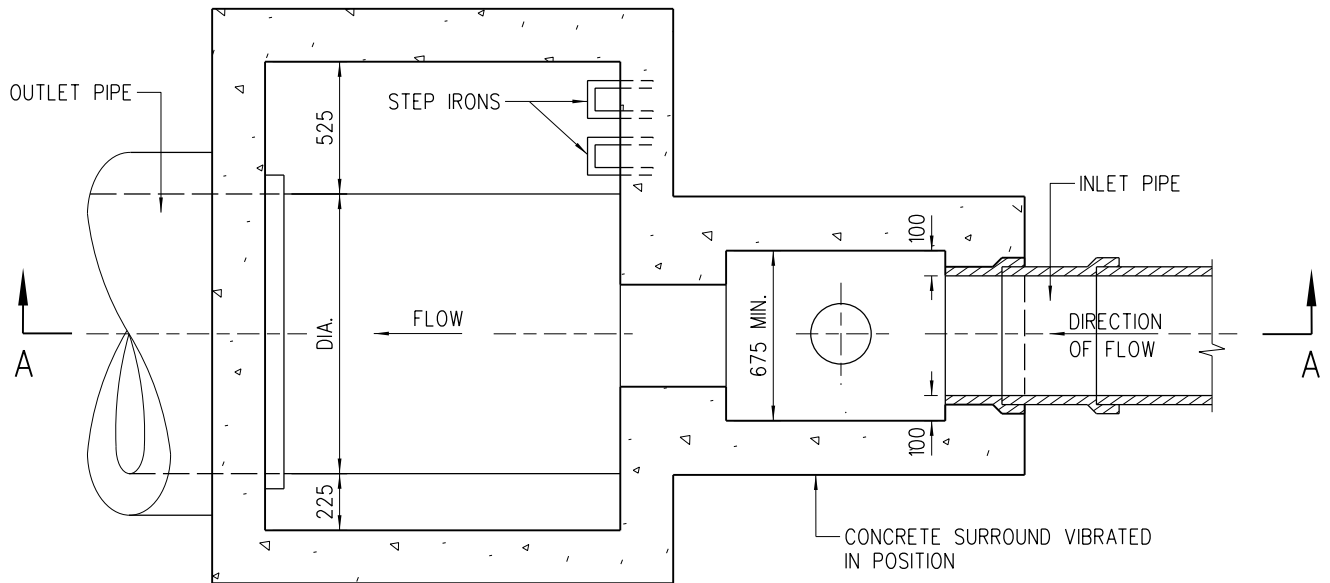
E	NOTE 3 ADDED ON SHEET 2	ORIGINAL SIGNED	2.8.2022
D	MANHOLE COVER, FRAME & SHAFT WIDTH UPDATED	ORIGINAL SIGNED	10.5.2010
C	REDRAWN BY CAD	ORIGINAL SIGNED	8.8.2001
B	GENERAL REVIEW	ORIGINAL SIGNED	2.2.2001
A	GENERAL REVISION	ORIGINAL SIGNED	22.7.1994
REV.	DESCRIPTION	SIGNATURE	DATE

BACKDROP MANHOLE  
TYPE 3

DRAINAGE SERVICES DEPARTMENT

REFERENCE	DRAWING No.
SCALE 1 : 30	DS 1020E ( SHEET 1 OF 3 )

DIA. OF INLET PIPE	DIA. OF DOWN PIPE
150	150
225	225
300	225
375	300
450	300



### SECTIONAL PLAN

**NOTES:**

1. ALL DIMENSIONS ARE IN MILLIMETRES.
2. THIS TYPE OF BACKDROP MANHOLE IS PREFERABLY USED IN FOUL SEWER.
3. RECESS WITH SQUARE STEEL ROD SHALL BE PROVIDED AT TOP OF MANHOLE CHAMBER FOR INSTALLING MONITORING DEVICE(S). DETAILS REFER TO DSD STANDARD DRAWING NO. DS 1099.

E	NOTE 3 ADDED ON SHEET 2	ORIGINAL SIGNED	2.8.2022
D	MANHOLE COVER, FRAME & SHAFT WIDTH UPDATED	ORIGINAL SIGNED	10.5.2010
C	REDRAWN BY CAD	ORIGINAL SIGNED	8.8.2001
B	GENERAL REVIEW	ORIGINAL SIGNED	2.2.2001
A	GENERAL REVISION	ORIGINAL SIGNED	22.7.1994
REV.	DESCRIPTION	SIGNATURE	DATE

## BACKDROP MANHOLE TYPE 3

### DRAINAGE SERVICES DEPARTMENT

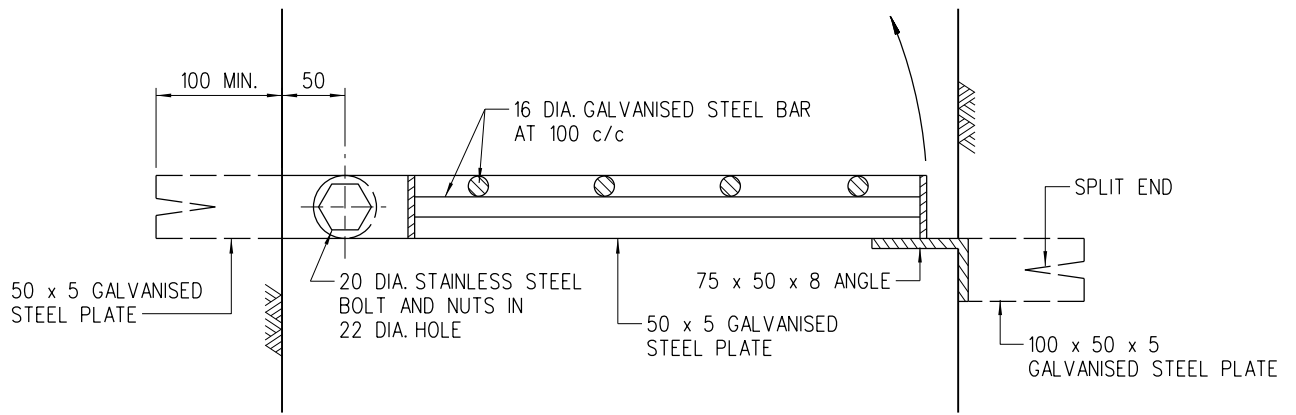
REFERENCE

DRAWING No.

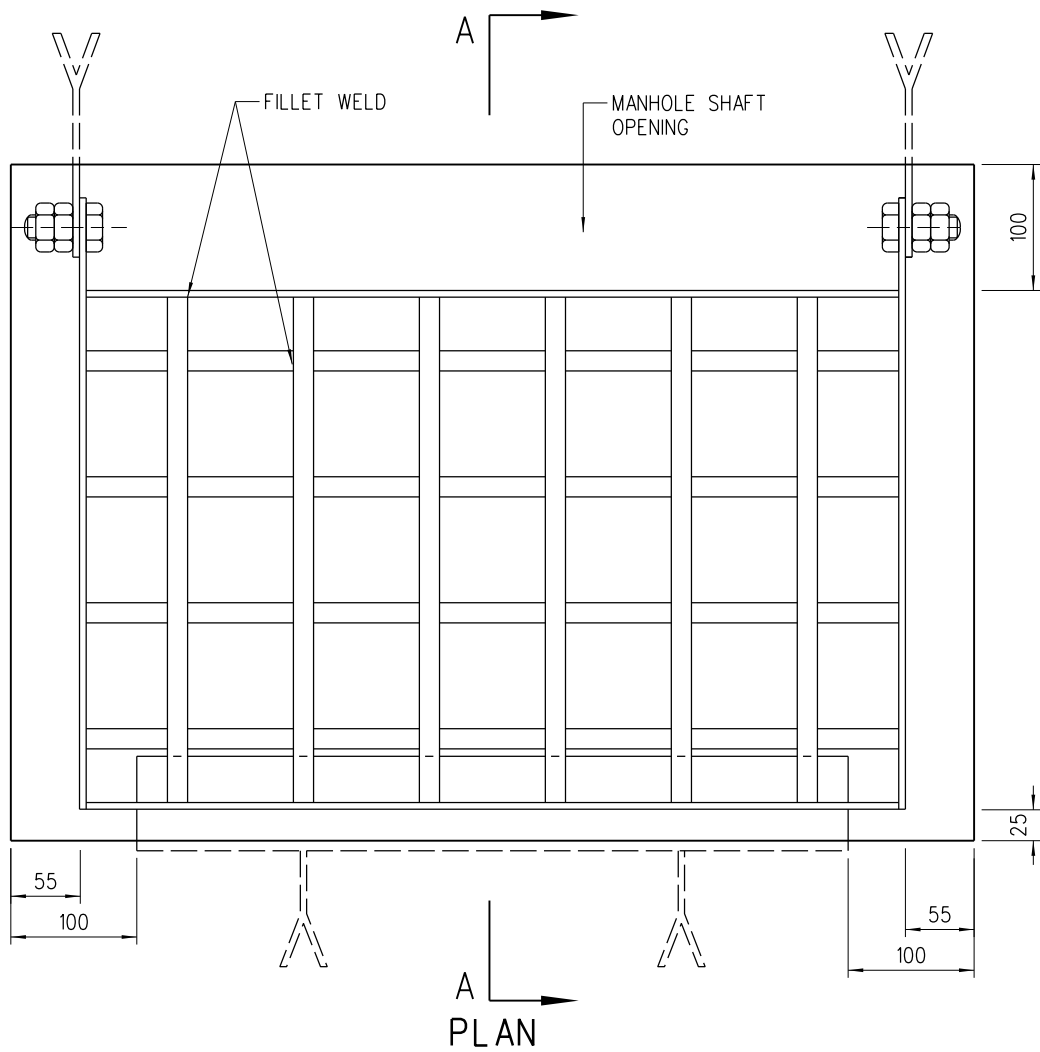
SCALE

1 : 30

**DS 1020E**  
( SHEET 2 OF 3 )



**SECTION A-A**



**PLAN**

**NOTES:**

1. ALL STEELWORKS SHOULD BE GALVANISED AFTER COMPLETION OF WELDING.

E	NOTE 3 ADDED ON SHEET 2	ORIGINAL SIGNED	2.8.2022
D	MANHOLE COVER, FRAME & SHAFT WIDTH UPDATED	ORIGINAL SIGNED	10.5.2010
C	REDRAWN BY CAD	ORIGINAL SIGNED	8.8.2001
B	GENERAL REVIEW	ORIGINAL SIGNED	2.2.2001
A	GENERAL REVISION	ORIGINAL SIGNED	22.7.1994
REV.	DESCRIPTION	SIGNATURE	DATE

**BACKDROP MANHOLE  
TYPE 3**

**DRAINAGE SERVICES DEPARTMENT**

REFERENCE

DRAWING No.

SCALE

1 : 6

**DS 1020E**  
( SHEET 3 OF 3 )